

# PATTERSON ACUITY X-RAY PRE-INSTALLATION REQUIREMENTS CHECKLIST

Please be sure all checkboxes have been checked, ensuring you have reviewed and verified all requirements. We recommend consulting with your electrician or contractor when reviewing this form. Once you have verified the requirements, please sign and date below and send the form to your Patterson representative. Installation cannot be scheduled until we verify your site is ready.

## MINIMUM RECOMMENDED ROOM SIZE:

- 9 W x 6 D feet, minimum ceiling height 85 inches

## ALL CONSTRUCTION MUST BE COMPLETED PRIOR TO INSTALLATION:

- Walls: Construction, drywall and paint completed
- Ceiling: Panels in place or solid ceiling completed and painted
- Flooring installed and ready for use
- Door width clearance must be at least 30 inches
- Radiation shielding, such as lead-lined wall or barriers, should be installed as needed according to state or local codes. Please use the link below to learn about the regulatory requirements in your state. [pattersonvet.com/cp/x-ray-installation-regulations](http://pattersonvet.com/cp/x-ray-installation-regulations)

## ALL ELECTRICAL REQUIREMENTS MUST BE COMPLETED AND FUNCTIONAL PRIOR TO INSTALLATION:

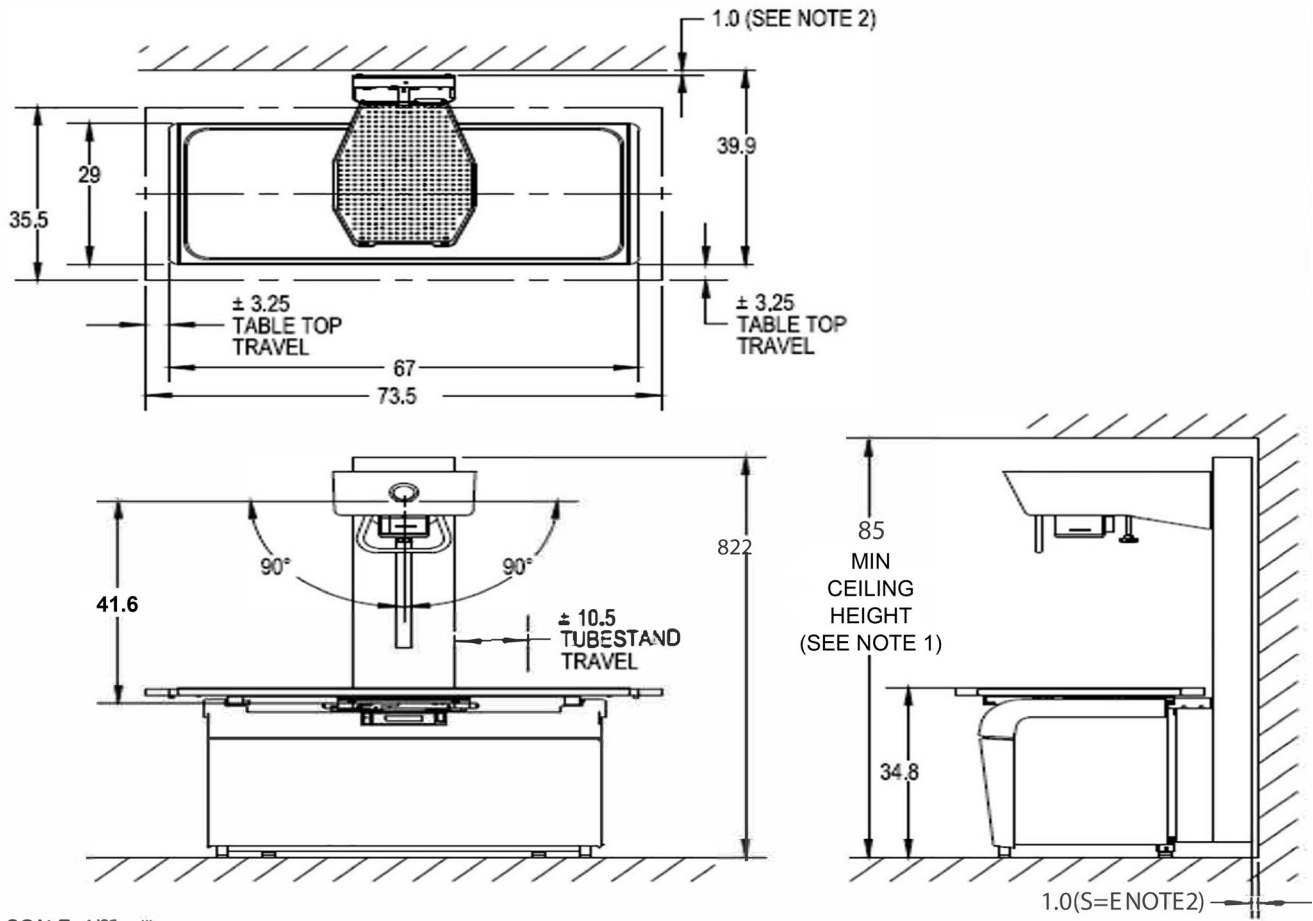
- 240 VAC, single phase, 100 Amp disconnect, 200 Amp maximum momentary load
- Disconnect Switch 5 feet from center of table 5 feet off floor (must meet state requirements)
- Maximum line voltage drop under full load conditions not to exceed 5%
- Recommended copper wire sizes are #2 AWG for 50' run, #00 AWG for 100' run, 250 MCM for 200' run
- Electrical must be completed prior to installation

Failure to meet the above requirements will result in postponement of the installation and may incur additional fees.



If you have questions, please contact your local Patterson Equipment Specialist.

*This document does not include requirements for additional equipment, i.e., digital processing.*



SCALE: 1/2" = 1"

NOTES:

1. 2.75" ADDED ON TOP TO ALLOW FOR FULL TUBE ANGULATION.
2. 1" REAR GAP BETWEEN TUBESTAND AND WALL.

All measures are in inches.

**DELIVERY RESPONSIBILITIES:**

- inspect the shipping boxes for any damage once delivered
- Inspect equipment if uncrated by shipping company for any damage
- If any damage has been identified to the shipping crate or the equipment, please note on delivery receipt
- If damage, make note on delivery receipt from the shipping provider
- Inspect your building for damage. If your floors, walls or doorways have been damaged, you MUST DOCUMENT and SIGN the delivery receipt for any damage

Clinic Name \_\_\_\_\_

Phone \_\_\_\_\_

Signature \_\_\_\_\_

Date \_\_\_\_\_

Your signature indicates that the installation requirements referenced above have been verified as complete and you are aware that if the Patterson installation team arrives and the site is not ready, it will result in postponement of the install and client will be responsible for additional costs to reschedule.

To contact the  
Patterson service  
department, call  
**855.778.8387.**

